

## MPS-075W□FS Series



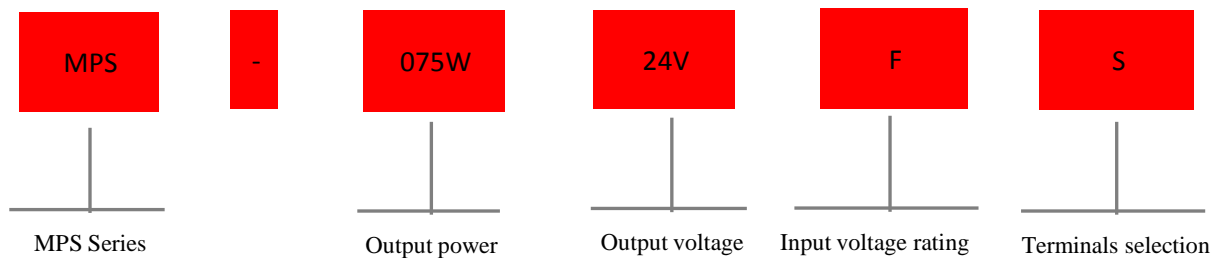
### ▲ Character

- The ripple performance is superior
- 100% full aging
- Overvoltage、 overload、 short circuit protection
- LED work instruction
- Optional rail mounting rack, TS35 mounting
- Momentary overload capacity at 120%-180%
- High efficient natural heat dissipation
- The seismic protection
- "Three pivots" M4 large caliber installation
- The "Three Preventions" treatment is suitable for the worse working conditions
- Connection terminal with protective cover
- All aluminum shell
- Surge protection
- Warranty 3 years

### ▲ Apply

- Industrial automation control system
- Intelligent control system
- Electronic instruments and devices
- LED control
- Household appliances

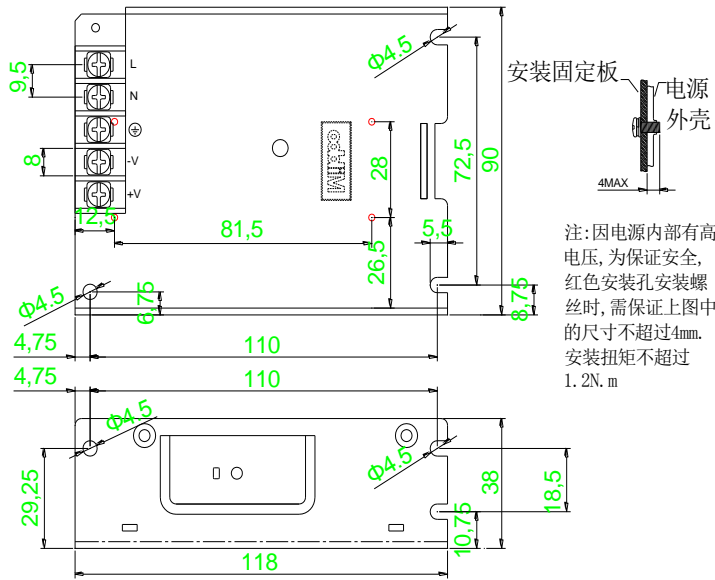
### ▲ Model code



## Electrical specifications

Input parameter						
Input voltage	85-264VAC 120-370VDC					
Input current	1.5A/115VAC 0.9A/230VAC					
Input frequency	47-63Hz					
Surge current(max)	22A/115VAC 44A/230VAC					
Output parameter						
Direct rated voltage (V)	5	7.5	12	15	24	48
Frequency	80%	80%	83%	84%	86%	86%
Output voltage regulation range	±10%					
Rated current(A)	14.0	10.0	6.2	5.0	3.13	1.57
Rated power(W)	70.0	75.0	74.4	75.0	75.1	75.3
Ripple noise(max MVP-P)Note2	80	120	120	150	200	240
Voltage accuracy Note3	±2%	±1%	±1%	±1%	±1%	±1%
Line regulation Note4	±0.5%					
Load regulation Note5	±1%	±0.5%	±0.5%	±0.5%	±0.5%	±0.5%
Start up, rise time	500ms 30ms/230VAC 1200ms 30ms/115VAC(full load)					
Storage time	50ms/230VAC 10ms/115VAC(full load)					
Status indicator	Green LED					
Protect function						
Overload	Rated output power of 120%-180%					
	Protected mode:hiccup mode,the load exception can be automatically restored after an exception is removed					
Overvoltage(V)	5.6-6.8	8.6-10.1	13.8-16.2	18-21	27.6-32.4	57.6-67.2
	Protected mode:hiccup mode,the voltage exception can be automatically restored after an exception is removed					
Three proof treatment	It is suitable for high dust and condensation occasions					
Safety and electromagnetic compatibility						
Withstand voltage	I/P-O/P:3KVAC I/P-FG:1.5KVAC O/P-FG:0.5KVAC					
Insulation impedance	I/P-O/P,I/P-FG,O/P-FG:100M Ohms/500VDC/25℃/70% RH					
Safety specification Note6	GB4943.1					
Electromagnetic compatible emission	EN55022(CISPR22)Class B,EN61000-3-2,-3					
Electromagnetic compatible immunity	EN61000-4-2, 3, 4, 5, 6, 8, 11, EN61000-6-1,A class a light industry standard					
Environmental parameters						
Working temperature	- 25~+60℃ (>50℃Reduced rating, see temperature characteristic curve)					
Storage temperature	- 40~+85℃					
Storage humidity	10-95% RH					
Resistance to shock	10-500Hz,2G 10 minutes/Period X,Y,and Z axis 60 minutes					
The other parameters						
Mean time between failure	≥370K hrs,MIL-HDBK-217F(25℃)					
Installation	The plate screw is fixed ,or optional accessory can TS35 guide rail installation					
Protection class	IP20					
Weight	About 0.32Kg					
Length*width*height	118*90*38mm					
Order data	Parameters to describes	Order type				
	MPS 70.0W 14.0A 05V	MPS-075W05VFS				
	MPS 75.0W 10.0A 7.5V	MPS-075W07VFS				
	MPS 74.4W 6.2A 12V	MPS-075W12VFS				
	MPS 75.0W 5.0A 15V	MPS-075W15VFS				
	MPS 75.1W 3.13A 24V	MPS-075W24VFS				
	MPS 75.3W 1.57A 48V	MPS-075W48VFS				
Accessory	Parameters to describes	Order type				
Guide card feet	TS35 Install accessories	MPS-F050B				

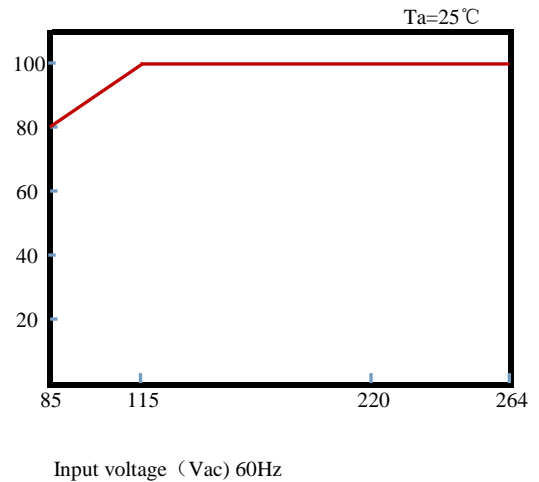
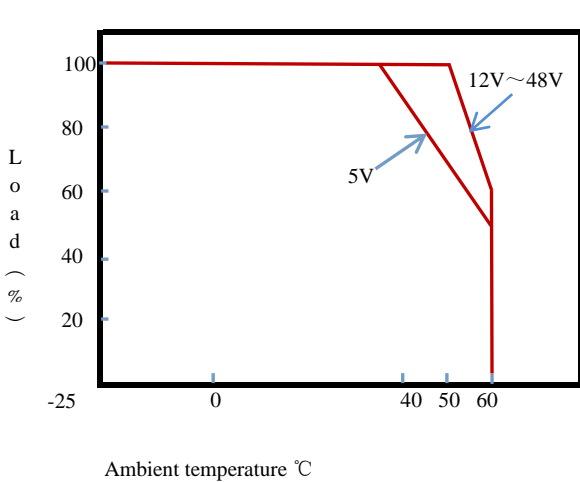
Installation diagram



接线端子安装说明

端子排规格	U形接线端子宽度	线材安装规格	最大扭矩
95端子排	8mm MAX	22-12AWG	1.2N.m(MAX)

Temperature profile



- Note**
- 1: If not specified otherwise, all of the specifications of the parameters in the input is 230VAC, rated load, 25 °C ambient temperature testing.
  - 2: Ripple and noise measurement method: using a pair of twisted pair, the output point needs to be shunt 0.1Uf and 47Uf capacitance, which is measured at 20MHZ bandwidth.
  - 3: Precision: includes setting error, linear adjustment rate and load adjustment rate.
  - 4: Measurement of linear adjustment rate: under rated load, from high voltage to low voltage test.
  - 5: Load adjustment rate measurement method: from 0% to 100% rated load.
  - 6: According to the requirements of GB4943.1, the power supply is only used for safe use in areas below sea level of 2000M and non-tropical climates.